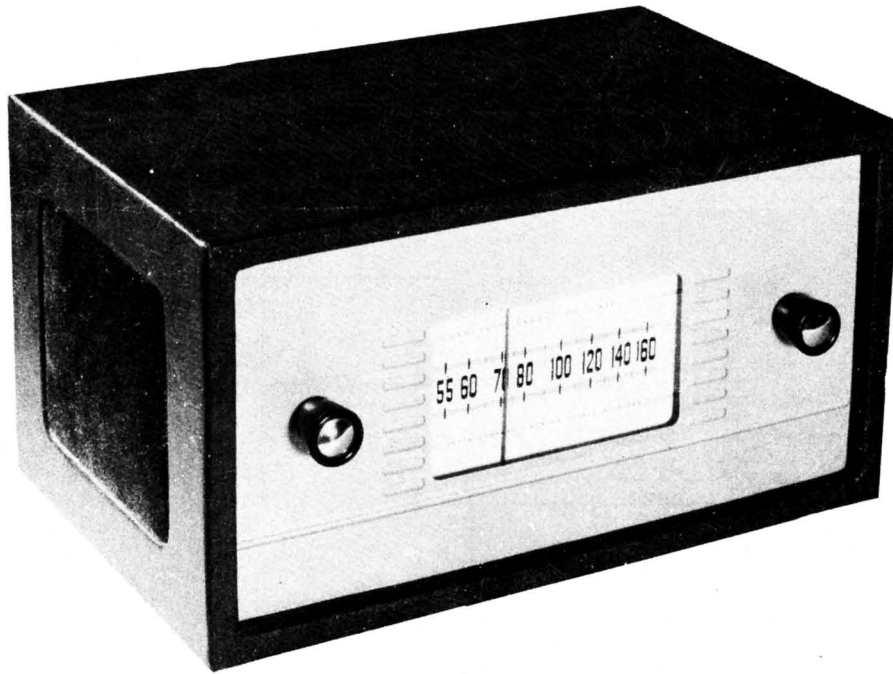


ASSEMBLY AND OPERATION OF THE HEATHKIT BROADCAST BAND RECEIVER . MODEL BR-2



*Not over
11m*

SPECIFICATIONS

Radio

Tuning Range..... 550 kc to 1620 kc
 I. F. Frequency..... 455 kc
 Antenna..... Built-in High Sensitivity Rod Type
 Speaker (included)..... 5 1/2" PM 4 ohm Voice Coil

Tuner Operation

Output..... High impedance to any amplifier input with
 resistance of 100,000 ohms or more. 110
 V outlet provided for amplifier, phono
 player, etc.

Phonograph

Input..... 1 megohm high impedance for optimum per-
 formance with any good quality crystal or
 ceramic phono pickup.

Tube Complement.....

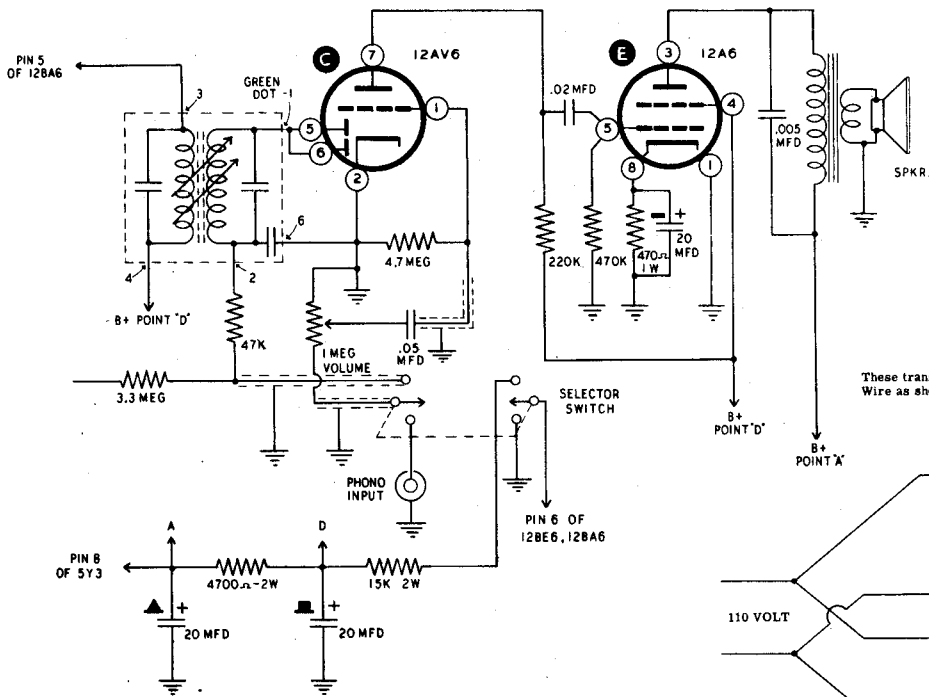
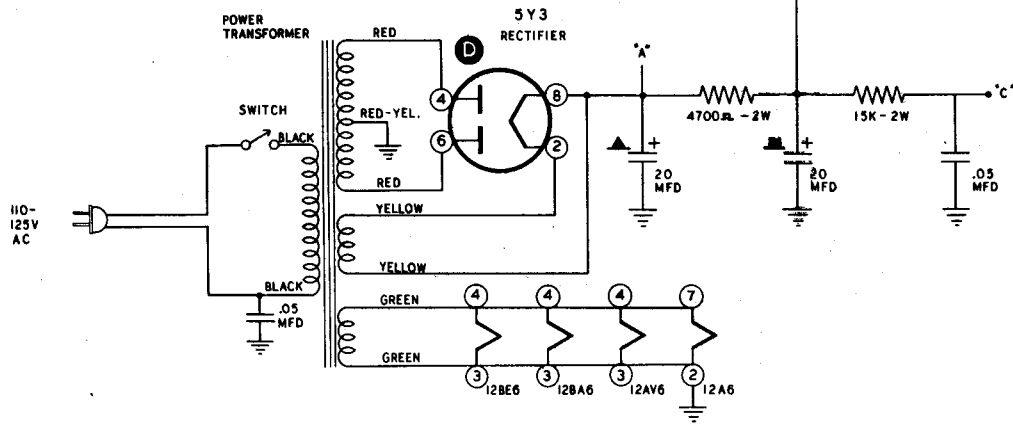
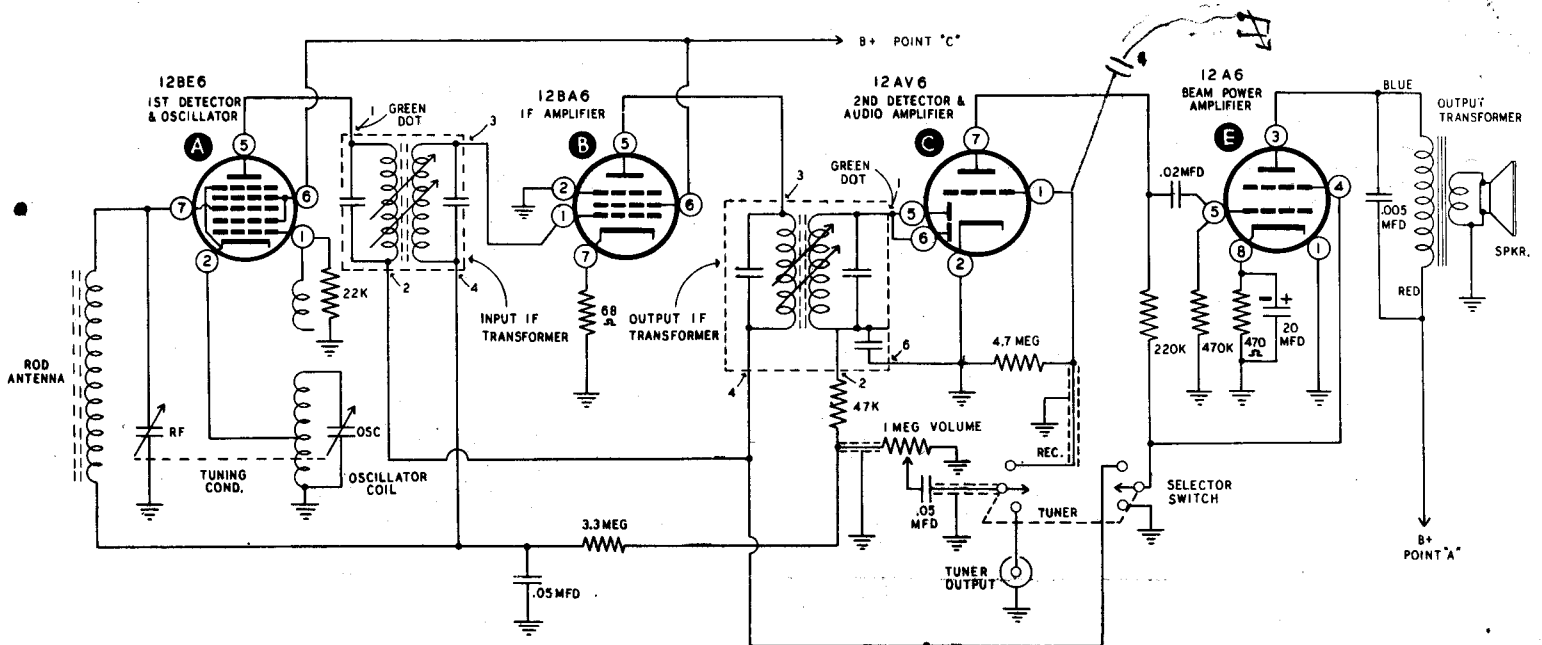
- 1 - 5Y3 Rectifier
- 1 - 12A6 Beam Power Amplifier
- 1 - 12AV6 Detector, A.V.C. and Audio Amplifier
- 1 - 12BA6 I. F. Amplifier
- 1 - 12BE6 Pentagrid Converter

Power Requirements.....

105-125 V 50-60 cycles AC 40 watts

Dimensions.....

11 1/2" wide, 5 3/4" high, 6 3/4" deep



**WIRING OF EXPORT TYPE
110/220 VOLT POWER
TRANSFORMERS**

These transformers have a dual primary for use on either 110 Volts or 220 Volts. Wire as shown.

